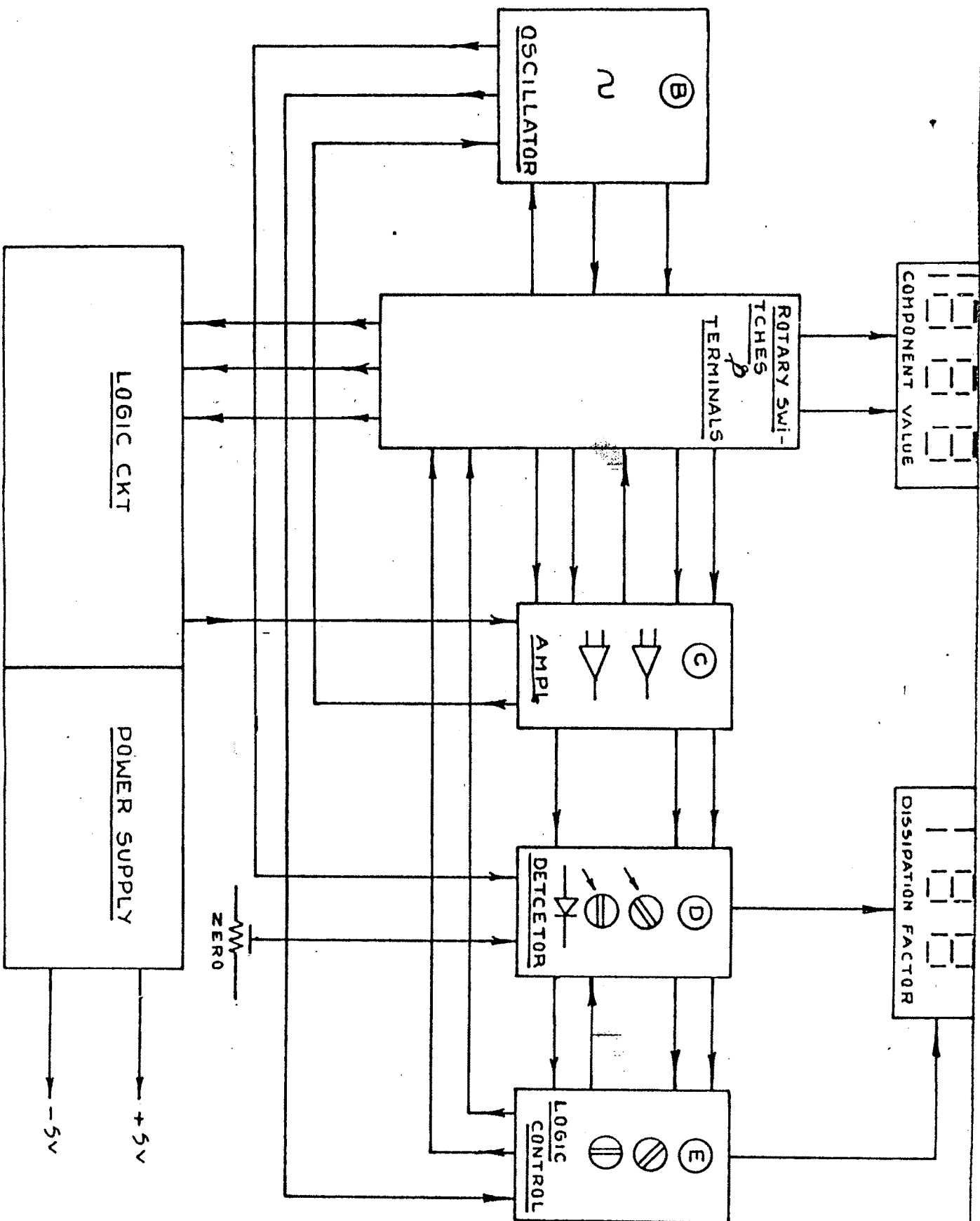


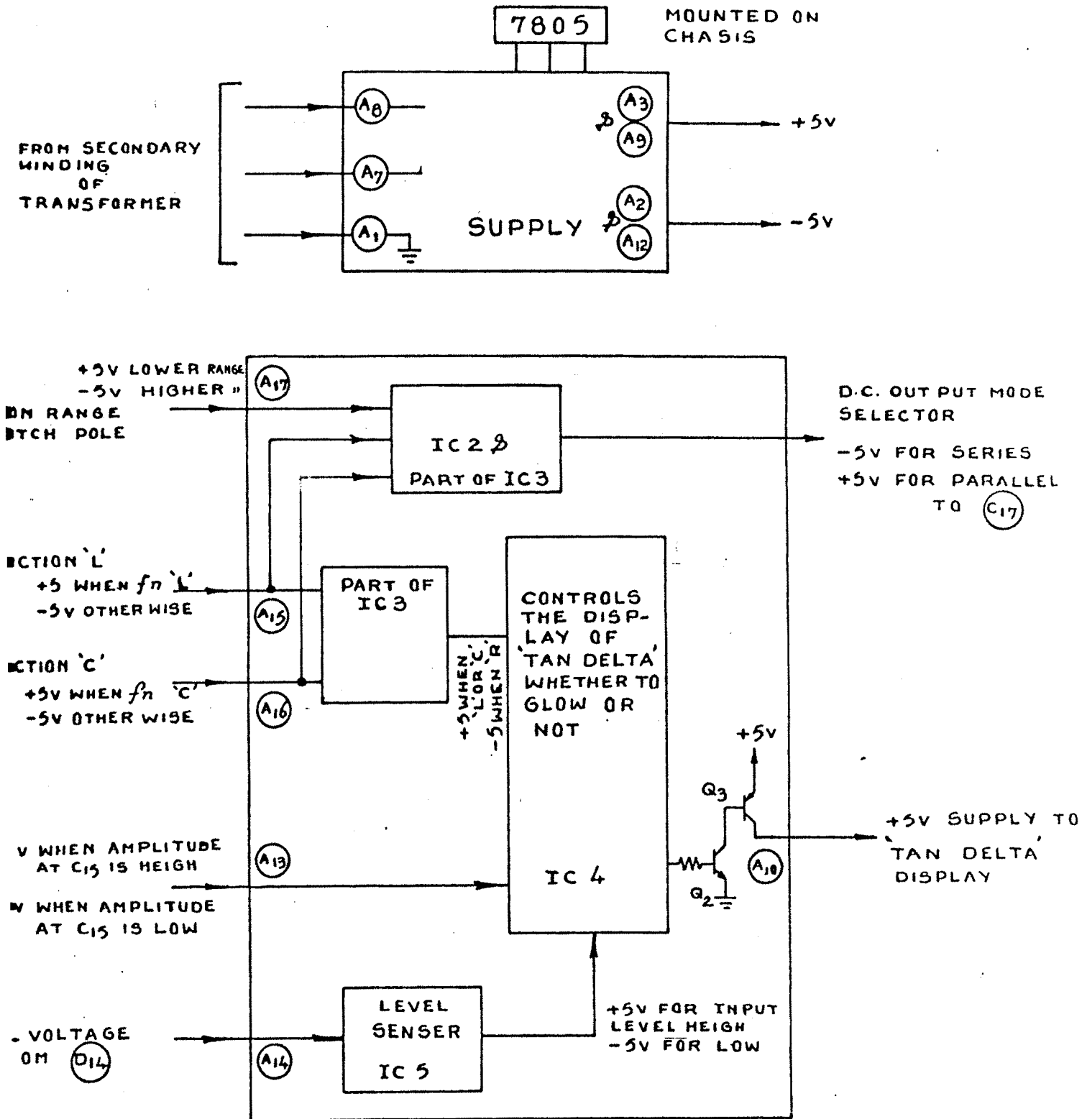
# CHAPTER - 6

# APPENDIX-A

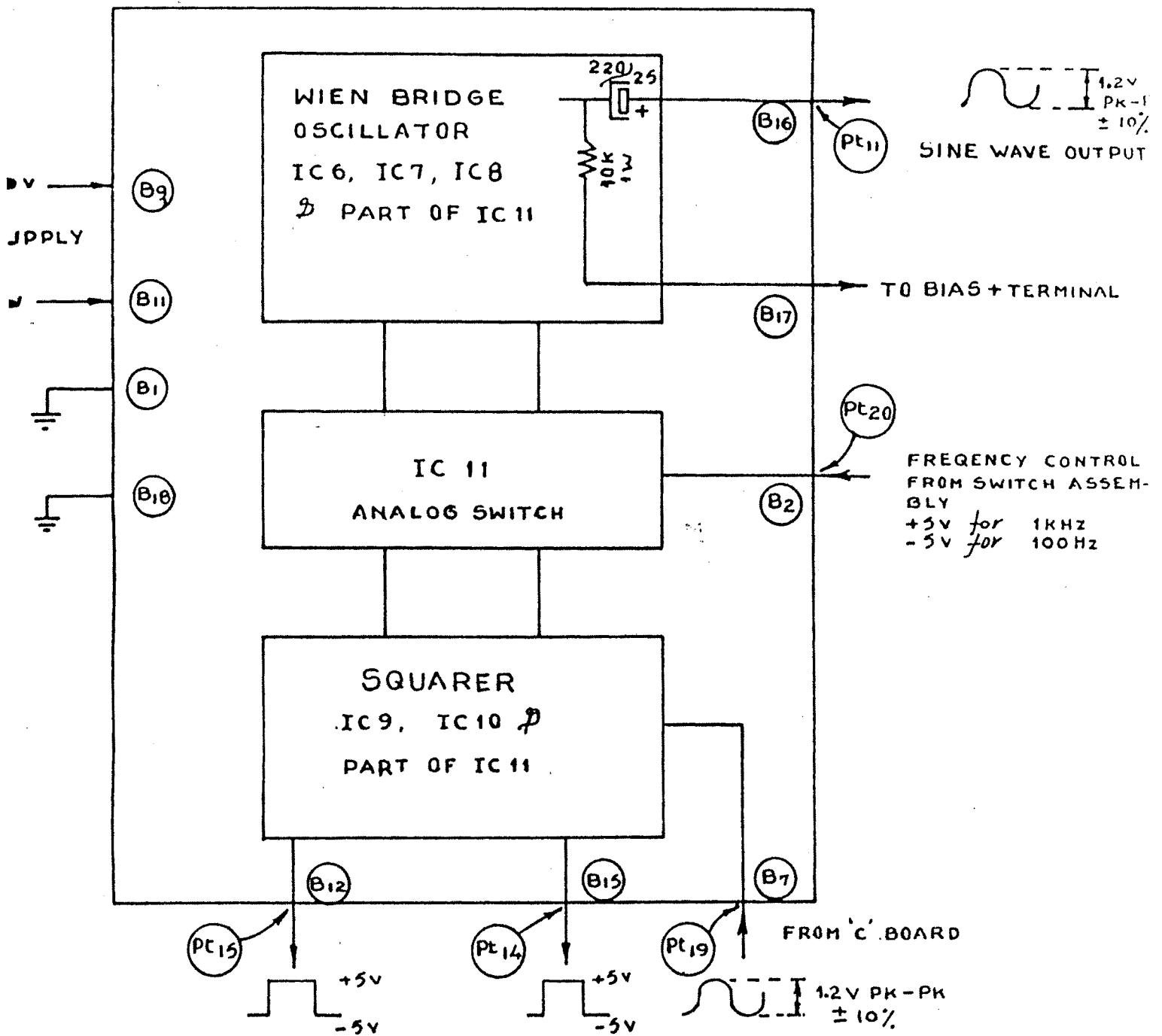
10000000 W



# BOARD-A POWER SUPPLY FUNCTIONAL DIAGRAM



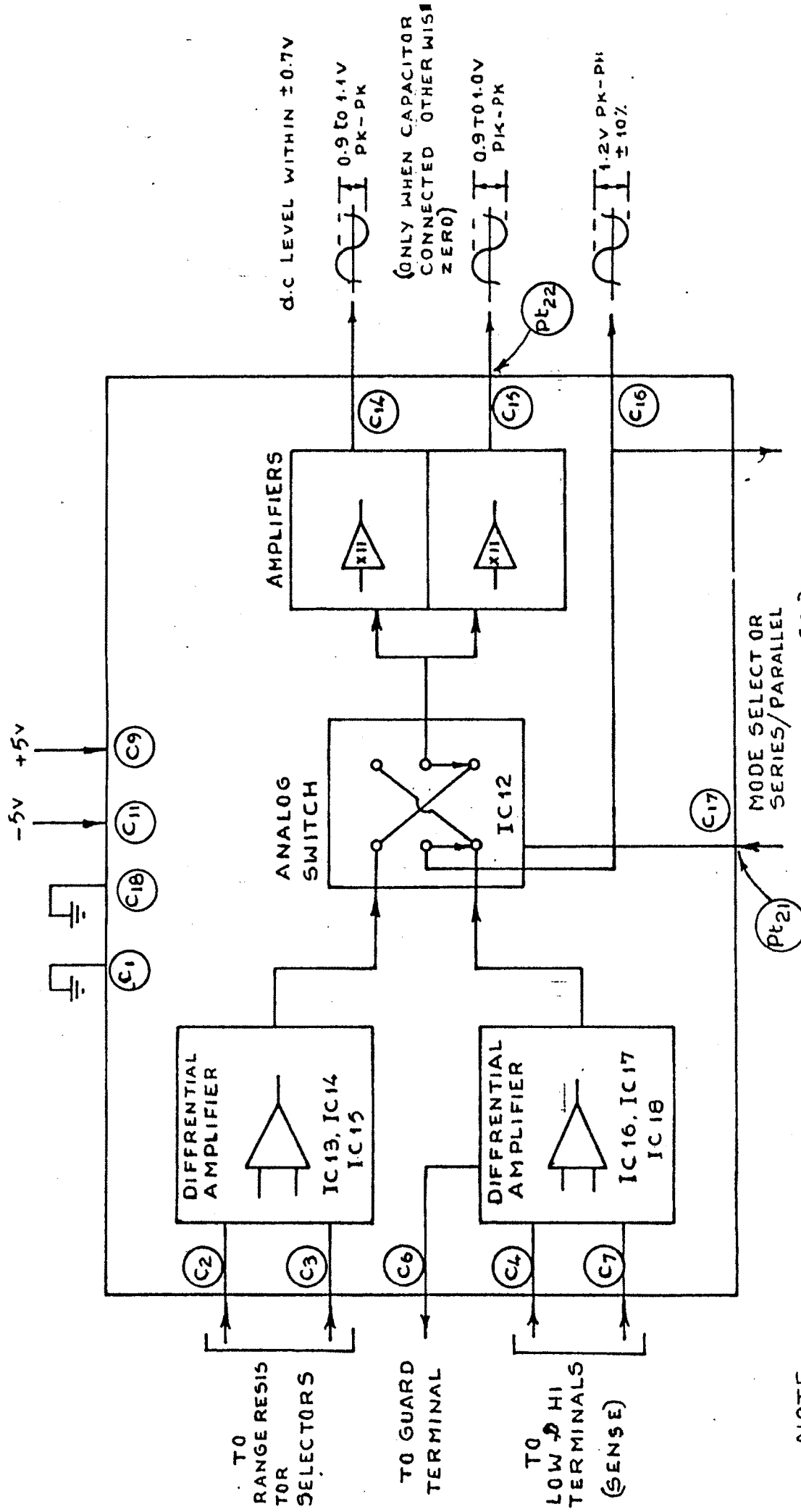
BOARD - B OSCILLATOR  
FUNCTIONAL DIAGRAM



**NOTE**

1. WAVE FORMS ARE SHOWN FOR 'C' LOWER RANGES
2. Pt11, Pt20 etc. CORRESPOND TO THE TROUBLE SHOOTING PROCEDURE
3. VOLTAGES SHOWN ARE APPROXIMATE

# FUNCTIONAL DIAGRAM



TO RANGE SELECTORS  
C2 C3

TO GUARD TERMINAL  
C6

TO LOW & HI TERMINALS (SENSE)  
C4 C7

d.c. LEVEL WITHIN  $\pm 0.7V$

0.9 TO 1.1V PK-PK  
(ONLY WHEN CAPACITOR CONNECTED OTHERWISE ZERO)

0.9 TO 1.0V PK-PK

1.2V PK-PK  $\pm 10\%$

MODE SELECTOR  
SERIES/PARALLEL

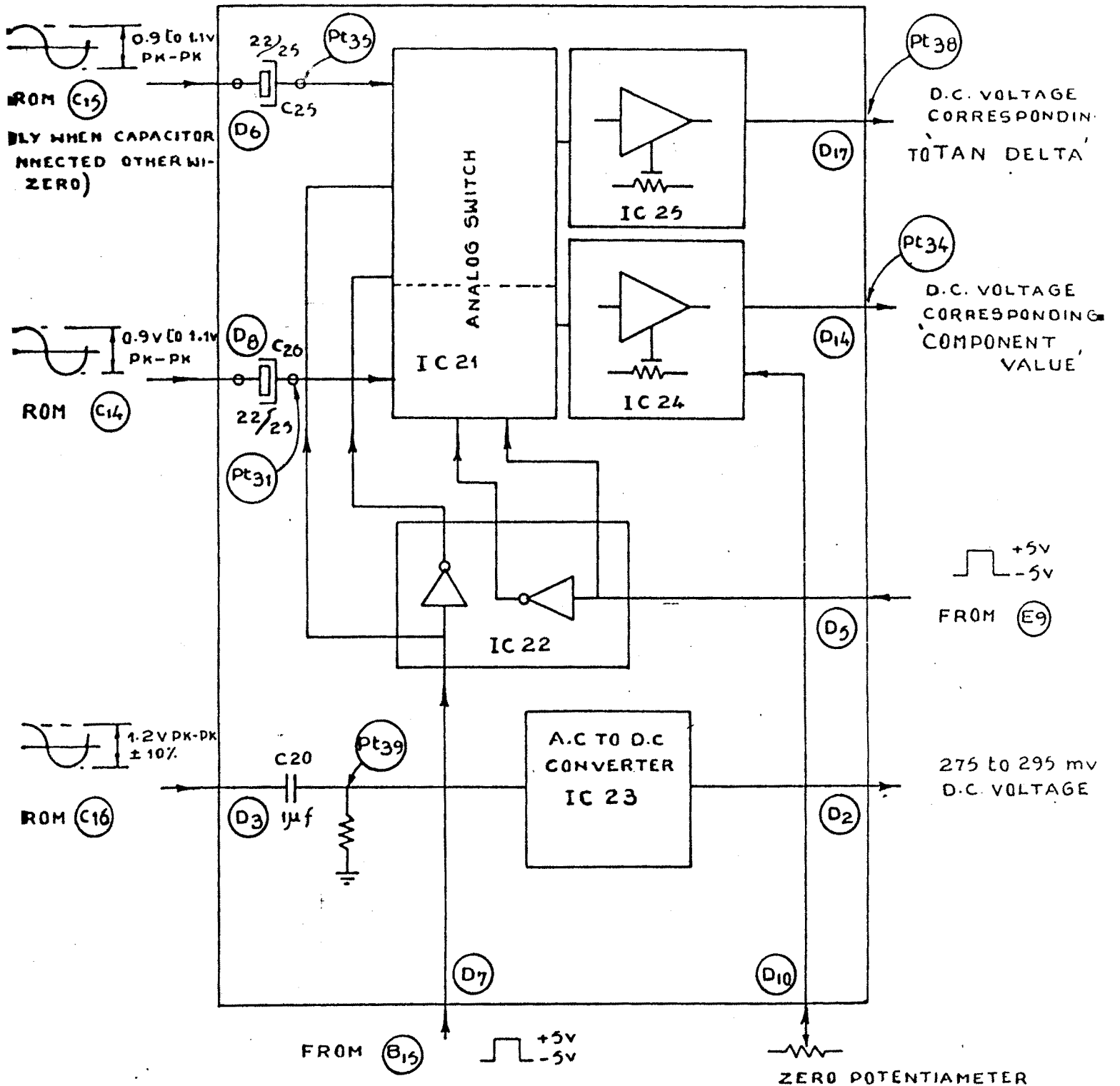
C - LOWER RANGES (+5V)  
C - HIGHER RANGES (-5V)  
L - LOWER RANGES (-5V)  
L - HIGHER RANGES (+5V)  
R - ALL RANGES (-5V)

**NOTE**

1. WAVE FORMS ARE SHOWN FOR 'C' LOWER RANGES
2. Pt21, Pt22 etc. CORRESPOND TO THE TROUBLE SHOOTING PROCEDURE
3. VOLTAGES SHOWN ARE APPROXIMATE

# BOARD-D DETECTOR

## FUNCTIONAL DIAGRAM



**NOTE**

1. waveforms are shown for 'c' lower ranges
2. (Pt31), (Pt39) etc correspond to trouble shooting Procedure
3. voltages shown are approximate